

ACP-TURNADO – METRIC.

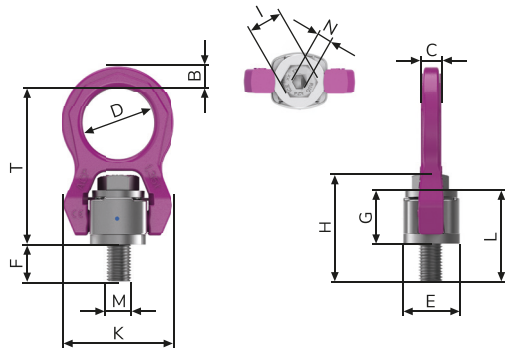
Type	WLL [t]	Weight (kg/unit)	A [mm]	B [mm]	C [mm]	D [mm]	E [mm]	F [mm]	G [mm]	H [mm]	I [mm]	K [mm]	L [mm]	M	N [mm]	T [mm]	Tightening torque [Nm]	Order no.
ACP-M12	1.35	0.37	-	11	10.5	38	30	19	28	54.5	19	58	47	M12	8	83	80	7909314
ACP-M16	2.5	0.82	-	14	14	50	40	22	36	68	24	76	58	M16	10	107	150	7909316
ACP-M20	4	1.34	-	17	17	50	45	26.5	43.5	82.5	30	89	70	M20	12	118	300	7909317
ACP-M24	6.3	3.03	-	23	23	66	60	34	55	104	36	121	89	M24	14	154	500	7909318
ACP-M30	8	5.66	-	29	27	75	75	41.5	68.5	129	46	148	110	M30	17	183	800	7909319

ACP-TURNADO – METRIC/INCH.

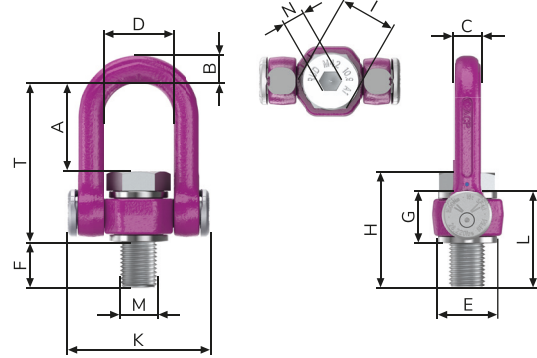
Type	WLL [t]	Weight (kg/unit)	A [mm]	B [mm]	C [mm]	D [mm]	E [mm]	F [mm]	G [mm]	H [mm]	I [mm]	K [mm]	L [mm]	M	N [mm]	T [mm]	Tightening torque [Nm]	Order no.
ACP-M36	12.5	7.1	106	32	32	82	70	45	60	128	55	168	105	M36	22	189	800	7911052
ACP-M42	16	7.5	106	32	32	82	70	53	60	136	65	168	113	M42	24	189	1,500	7911053
ACP 1½"	14	7.3	106	32	32	82	70	48	60	131	2¼"	168	108	1½"	17⁄8"	189	800	7911054
ACP 1¾"	16	7.7	104	32	32	82	70	56	60	141	1⅝"	168	117	1¾"	1"	189	1,500	7911055

Subject to technical changes!

ACP M12–M30



ACP M36–M42



ACP-TURNADO – METRIC IN CHOSEN LENGTH.

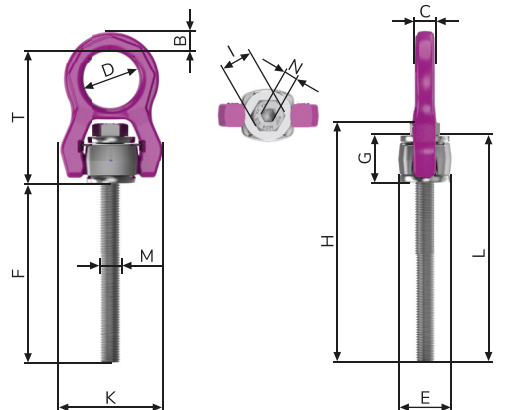
Type	WLL [t]	Weight (kg/unit)	A [mm]	B [mm]	C [mm]	D [mm]	E [mm]	F [mm]	G [mm]	H [mm]	I [mm]	K [mm]	L [mm]	M	N [mm]	T [mm]	Tightening torque [Nm]	Order no.
ACP-M12	1.35	0.37	-	11	10.5	38	30	12-117	28	55-153	19	58	40-145	M12	8	83	80	8600632
ACP-M16	2.5	0.82	-	14	14	50	40	16-149	36	68-195	24	76	52-185	M16	10	107	150	8600634
ACP-M20	4	1.34	-	17	17	50	45	20-186	43.5	82-242	30	89	63-230	M20	12	118	300	8600636
ACP-M24	6.3	3.03	-	23	23	66	60	24-210	55	104-280	36	121	79-265	M24	14	154	500	8600638
ACP-M30	8	5.66	-	29	27	75	75	30-271	68.5	129-359	46	148	98-340	M30	17	183	800	8600640

ACP-TURNADO – METRIC IN CHOSEN LENGTH.

Type	WLL [t]	Weight (kg/unit)	A [mm]	B [mm]	C [mm]	D [mm]	E [mm]	F [mm]	G [mm]	H [mm]	I [mm]	K [mm]	L [mm]	M	N [mm]	T [mm]	Tightening torque [Nm]	Order no.
ACP-M36	12.5	7.1	106	32	32	82	70	36-240	60	128-323	55	168	105-300	M36	22	189	800	8600642
ACP-M42	16	7.5	106	32	32	82	70	42-290	60	136-373	65	168	113-350	M42	24	189	1,500	8600644

Subject to technical changes!

ACP M12–M30



ACP M36–M42

